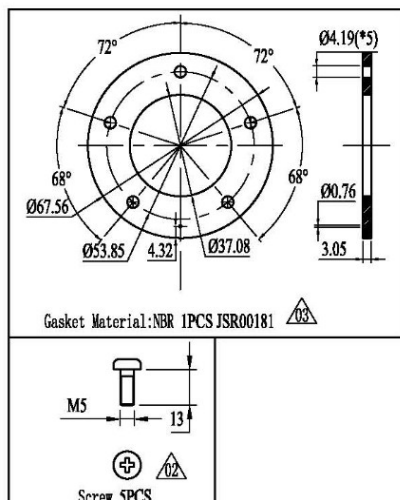
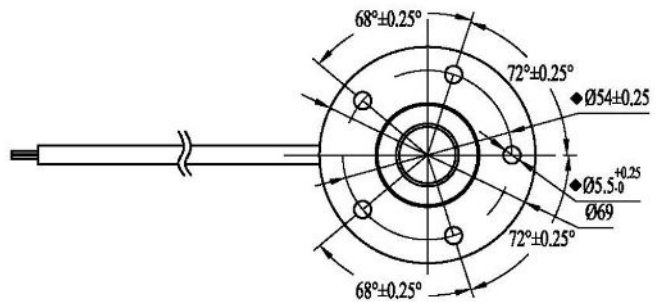
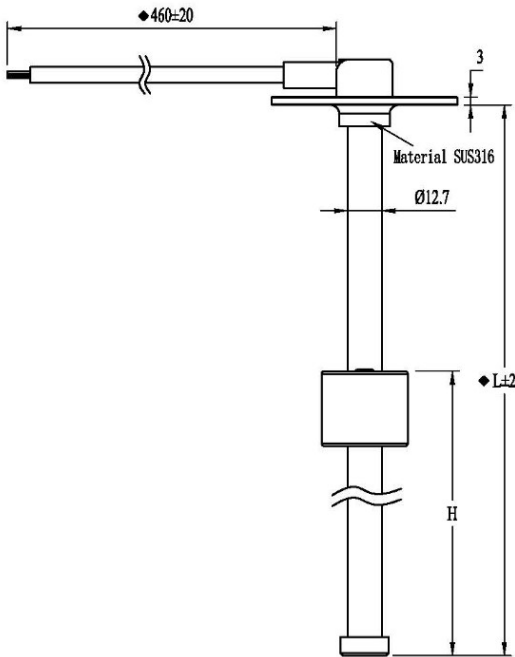




Dati tecnici sensori livello S5:

S5 level sensors technical data:

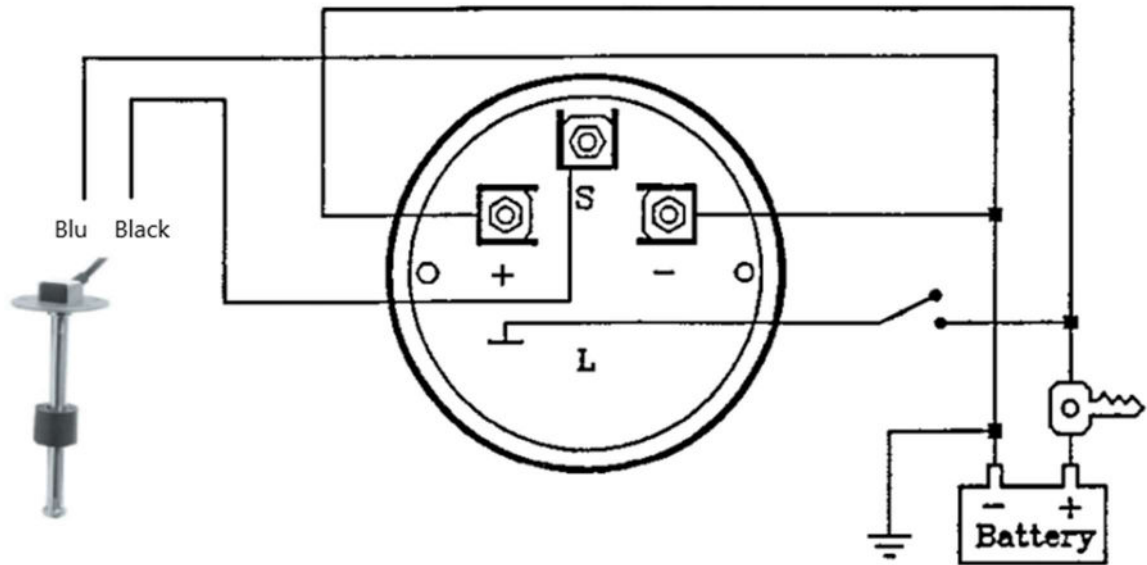


Technical requirements:

1. Electrical characteristics:
Rating power: P 125mW;
Working current: I max. 300mA;
2. H value in the table is the data that float moves downward from top of the sensor;
3. Deviation of the resistance output: $\pm(1+R*1.5\%)\Omega$;
4. Deviation allowed for H value: $\pm 5\text{mm}$;
5. Working medium: gasoline, diesel, water, waste water (SUS 316), and alcohol;
6. Working temperature: $-40 \sim +85^\circ\text{C}$
7. Protection class: IP 65;
8. Other technical requirements: take QC/T413-2002 as reference.

Collegamento elettrico sensore/indicatore:

Sensor / indicator wiring diagram:



Verifica funzionamento con tester:

Check operation with tester:

